

RESOLUTION NO. 201002 OCT 13 1970

WHEREAS, Section 1930 of the Streets and Highways Code provides a procedure for the summary vacation of streets by city council resolution where that portion to be vacated has been superseded by relocation; and

WHEREAS, that portion of POMERADO ROAD, between Rios Road and a point 398.17 feet northerly of Stone Canyon Road has been relocated through an alternate route dedicated, approved, and adopted on December 9, 1969 by Resolution No. 198620 and on August 25, 1970 by Resolution No. 200627; and

WHEREAS, those properties adjoining that portion of POMERADO ROAD to be vacated will be accessible by streets which will have been dedicated with the approval on this date of the final map of the subdivision to be known as Seven Oaks Unit No. 19; NOW, THEREFORE,

BE IT RESOLVED, by the Council of The City of San Diego, as follows:

1. That POMERADO ROAD, between Rios Road and a point 398.17 feet northerly of Stone Canyon Road, as more particularly shown on Map No. 14255-D, on file in the office of the City Clerk as Document No. 733683, which said map is attached hereto, marked Exhibit A, and made a part hereof be, and the same is hereby ordered vacated.

2. That the City Clerk shall cause a certified copy of this resolution, with exhibit, attested by him under seal, to be recorded in the office of the County Recorder.

APPROVED: JOHN W. WITT, City Attorney

By



Don S. Peterson, Deputy

DSP:cav
10/7/70

MICROFILMED

BERNARDO HOMES
UNIT NO. 2
MAP NO. 5152

SEVEN OAKS
MA.

& POMERADO ROAD
AS DEDICATED ON MAPS
NO. 5152, 6423 & 6438

SEVEN OAKS
UNIT NO. 2
MAP NO. 5158

62.56' $Y=309,731.48$
 $X=1,752,074.35$

SEVEN OAKS
UNIT NO. 9
MAP NO. 5387
LOT 708

NE BOUNDARY CORNER
SEVEN OAKS UNIT NO. 9
PER MAP NO. 5387

MATCH LINE
 $Y=307,797.22$
 $X=1,752,513.70$

SEVEN OAKS
UNIT NO. 8
MAP NO. 5325

MANTILLA
ROAD

SEE
11900-B

SEVEN OAKS
UNIT NO. 11
MAP NO. 6066

15.58'
POMERADO ROAD
 $N1^{\circ}49'44''W$ 613.75'
611.47'

MATCH LINE
 $Y=306,061.12$
 $X=1,752,532.15$

CS UNIT NO
P NO. 6423

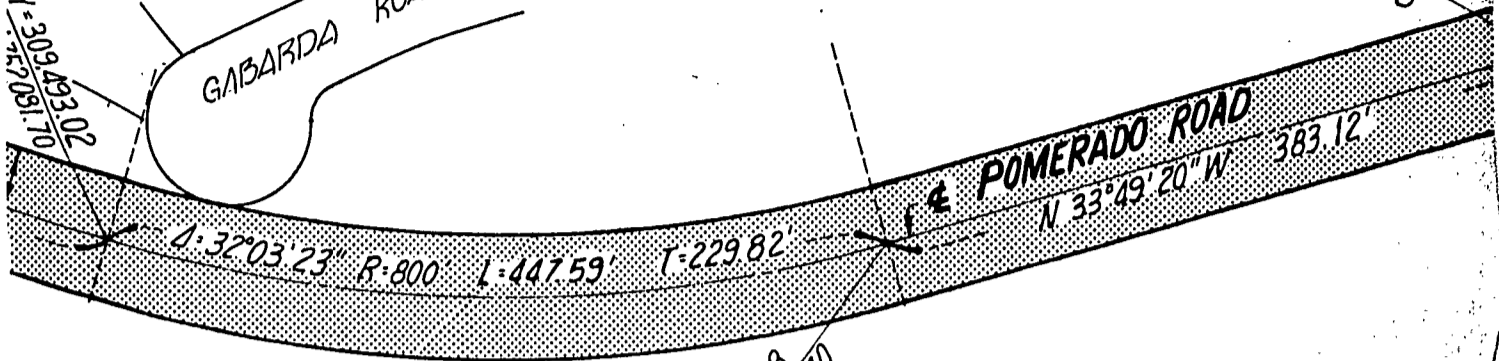
P

SEVEN OAKS UNIT 13
MAP 6438

GABARDA ROAD

Y=308,754.10
X=1,752,423.95

Y=309,693.02
X=1,752,081.70



Y=309,072.38
X=1,752,216.70

RANCHO

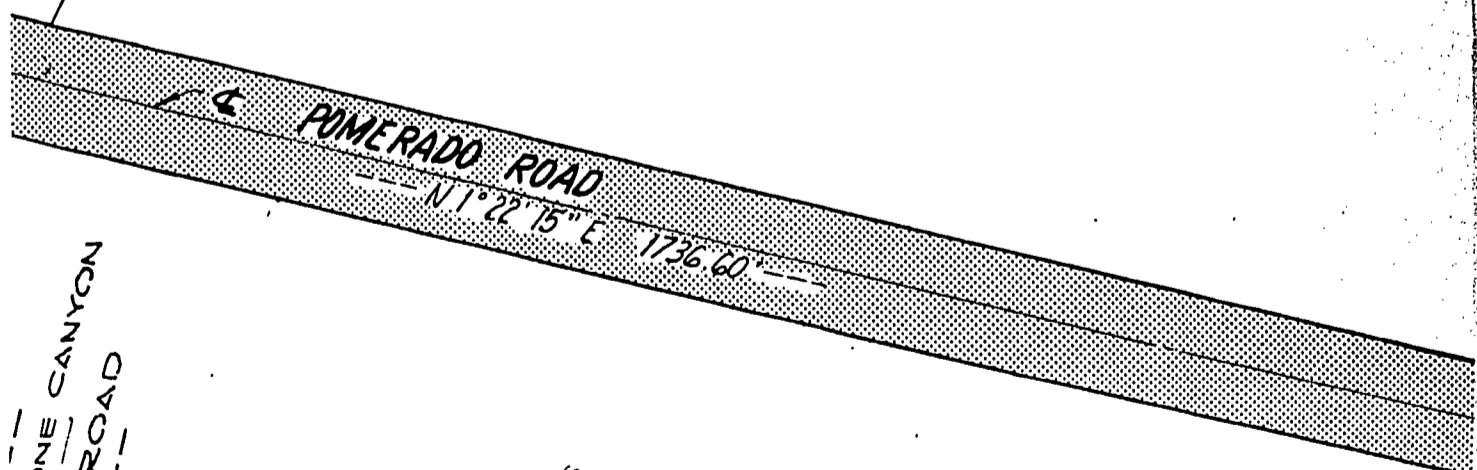
PATEM

RANCHO SAN BERNARDO L.S.

PATENT BOOK 2 PAGE 437

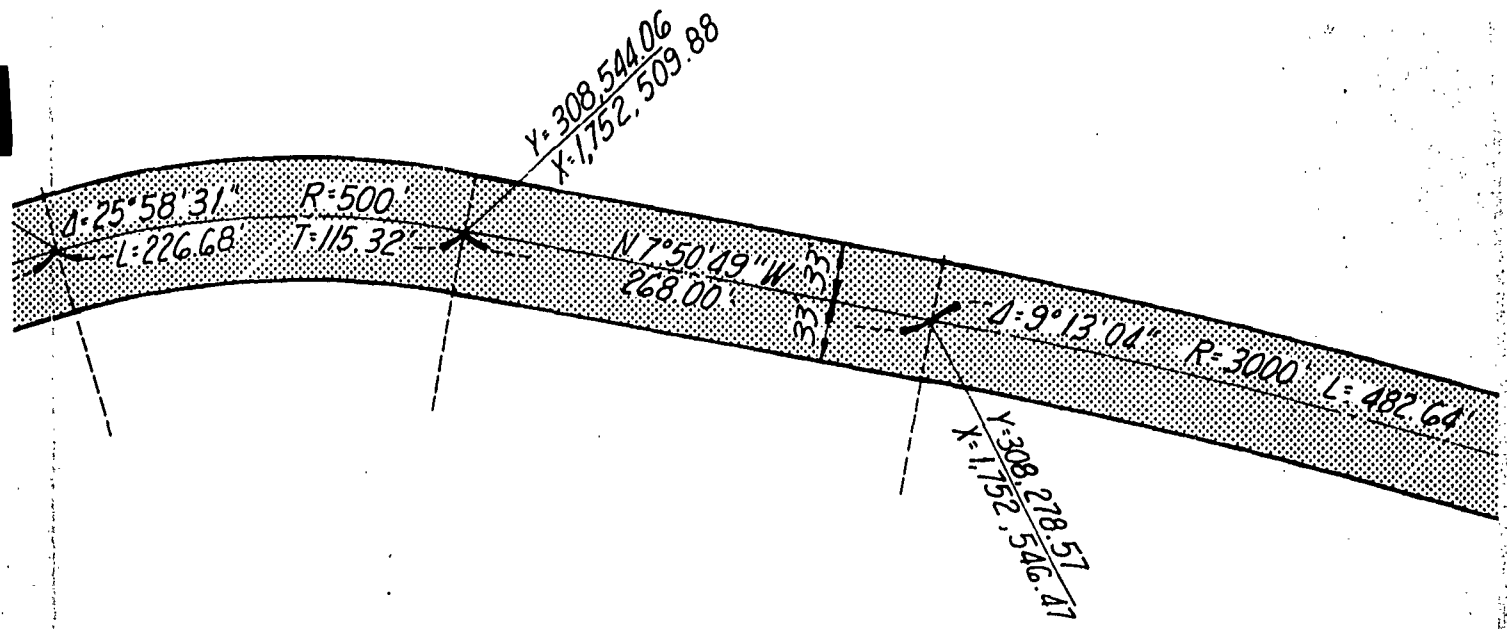
R. OF S. 6081

LOMICA DRIVE




STONE CANYON ROAD

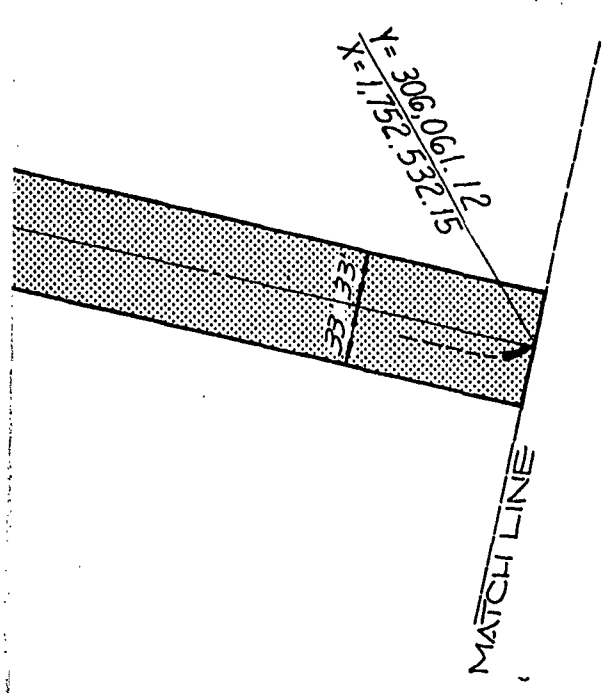
Y=305,449.96
X=1,752,551.66



SAN BERNARDO L.S. 427
 IT BOOK 2 PAGE 467
 R. OF S. 6081

127


 BASIS OF
 THE CENTER
 AS SHOWN

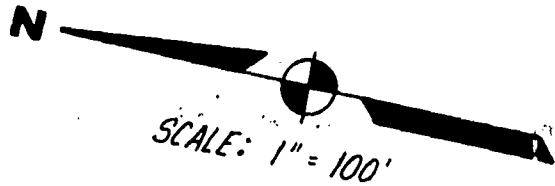
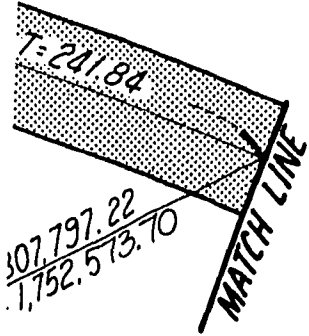
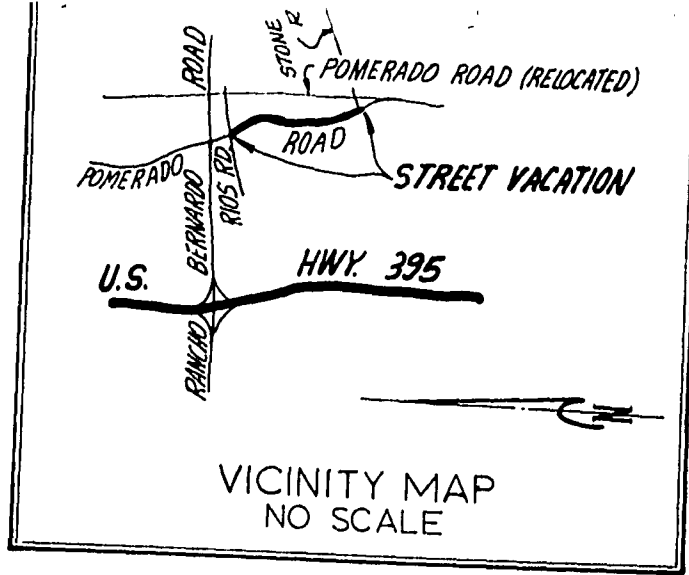


Ric
 ENC
 3557 Kenyon St.

STE
 I-A
 AND

DEPARTMENTAL
PLANNING
PROPERTY
PUBLIC WORKS
RECREATION
UTILITIES
STRUCTURAL
TRAFFIC
WATER

Doc. # 733688



INDICATES STREET VACATED
 REFERENCES: 14085-D, R.O.F.S 6081, 11968-B

BEARINGS:
 3/4 LINE OF POMERADO ROAD (MISSION ROAD I-A)
 IN R. OF S. 6081; I.E. N 01° 22' 15" E

DOC. NO. 733683
 FILED OCT 14 1970

EXHIBIT "A"

k ENGINEERING COMPANY 222-0348 San Diego, Calif.	Designed by: G.C.	SCALE: 1" = 100'	DATE: 3/20/70	JOB DWG. NO. 3162-
	Drawn by: L.G.	ENGINEER OF WORK:		
	Checked by: G.C.	 WILLIAM B. RICK R.C.E. 9416		

STREET VACATION - POMERADO ROAD (MISSION ROAD 300K 751, PAGE 115 OF DEEDS) BETWEEN RIO S ROAD A POINT 398.17 FEET N'LY OF STONE CANYON ROAD

APPROVALS ENG. DEPT. DIVISION OR SECTION CONST. INSPECTION		CITY OF SAN DIEGO, CALIFORNIA ENGINEERING DEPARTMENT SHEET OF SHEETS			W.O. NO. 69-54 27002	
ELECTRICAL		 CITY ENGINEER		DATE: 5-14-70	 DIVISION HEAD 5-13-70	
FIELD CHECK		DESCRIPTION	BY	APPROVED		DATE
GRADES AND DRAINS		ORIGINAL		<i>Eval</i>	5/13/70	
HIGHWAYS						
MONUMENTS						
PARKS						
SEWERAGE						
STREET ACTIONS	 5-13-70					
CONTRACTOR		DATE STARTED		DATE COMPLETED		
						14255 -D

OCT 13 1970

Passed and adopted by the Council of The City of San Diego on
by the following vote:

RECEIVED
CITY CLERK'S OFFICE

1970 OCT -7 PM 12:19

SAN DIEGO, CALIF.

Councilmen

Helen Cobb

Sam T. Loftin

Henry L. Landt

Leon L. Williams

Floyd L. Morrow

Bob Martinet

Allen Hitch

Mike Schaefer

Mayor Frank Curran

Yeas

Nays

Excused

Absent

AUTHENTICATED BY:

FRANK CURRAN

Mayor of The City of San Diego, California.

(Seal)

JOHN LOCKWOOD

City Clerk of The City of San Diego, California.

By Elfa P. Hamel, Deputy. *KA*

Office of the City Clerk, San Diego, California

Resolution
Number

201002

Adopted

OCT 13 1970

FORM CC-1276 (1-69)

MICROFILMED