

WHEREAS, Section 1930 of the Streets and Highways Code provides a procedure for the summary vacation of streets by City Council resolution where the street to be vacated has been superseded by relocation; and

WHEREAS, 44TH STREET (Road Survey 931) between Palm Avenue and Interstate 805 has been relocated by the approval on this date of the dedication of the street system within the final map of the subdivision to be known as PALM RIDGE UNIT NO. 1; and

WHEREAS, those properties adjoining 44TH STREET (Road Survey 931) to be vacated will continue to have access or will be accessible by the streets which have been dedicated with the approval on this date of the subdivision to be known as PALM RIDGE UNIT NO. 1; NOW, THEREFORE,

BE IT RESOLVED, by the Council of The City of San Diego, as follows:

1. That 44TH STREET (Road Survey 931) between Palm Avenue and Interstate 805, as more particularly shown on Drawing No. 17460-D on file in the office of the City Clerk as Document No. 762278, which is by this reference incorporated herein and made a part hereof, be and the same is hereby ordered vacated.

2. That the City Clerk shall cause a certified copy of this resolution, with drawing, attested by him under seal, to be recorded in the office of the County Recorder.

APPROVED: JOHN W. WITT, City Attorney

By H. Valderhaug
Harold O. Valderhaug, Deputy

MICROFILMED

OCT 10 1978

HOV:dm
12-13-77
Or.Dept.:E&D
W.O.:70688
T.M.:76-271-1

C1317

MAP

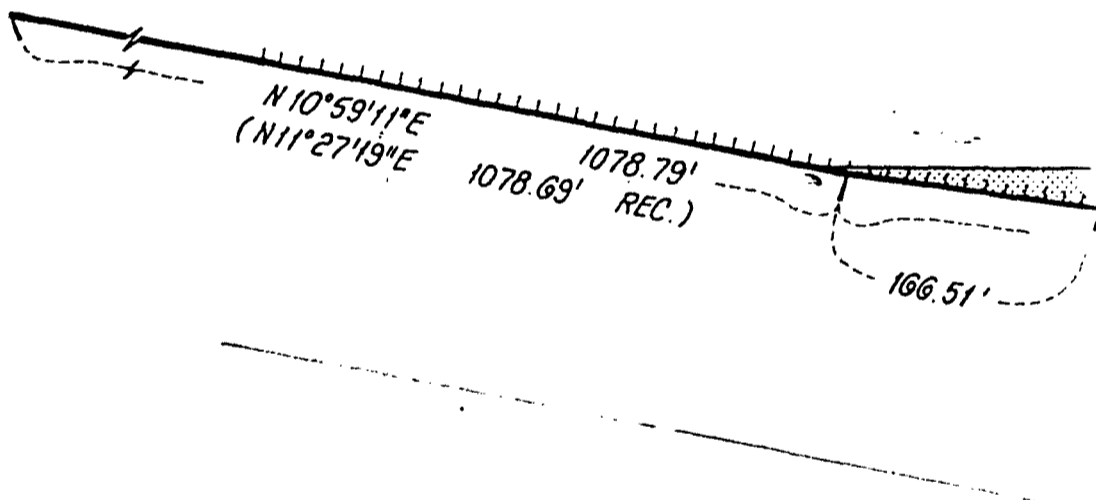
MAP N

CENTER, SEC. 25

$N0^{\circ}04'10''W$

751.91' (751.93' PL.)

BASIS OF BEARINGS



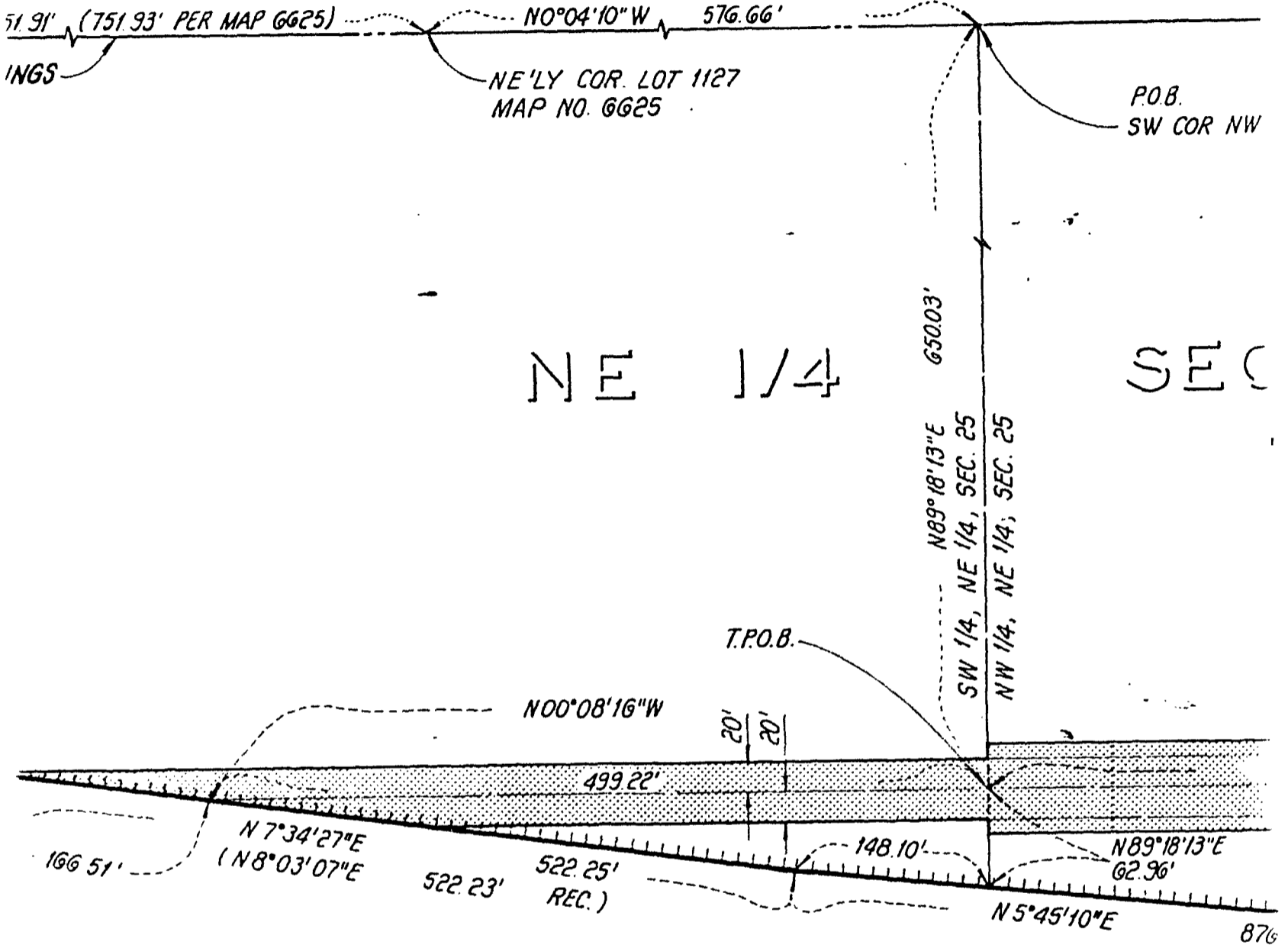
MICROFILMED

OCT 10 1978

01318-1

MAPLEWOOD HILL UNIT NO. 2

MAP NO. 6998



INTERSTATE

FRE

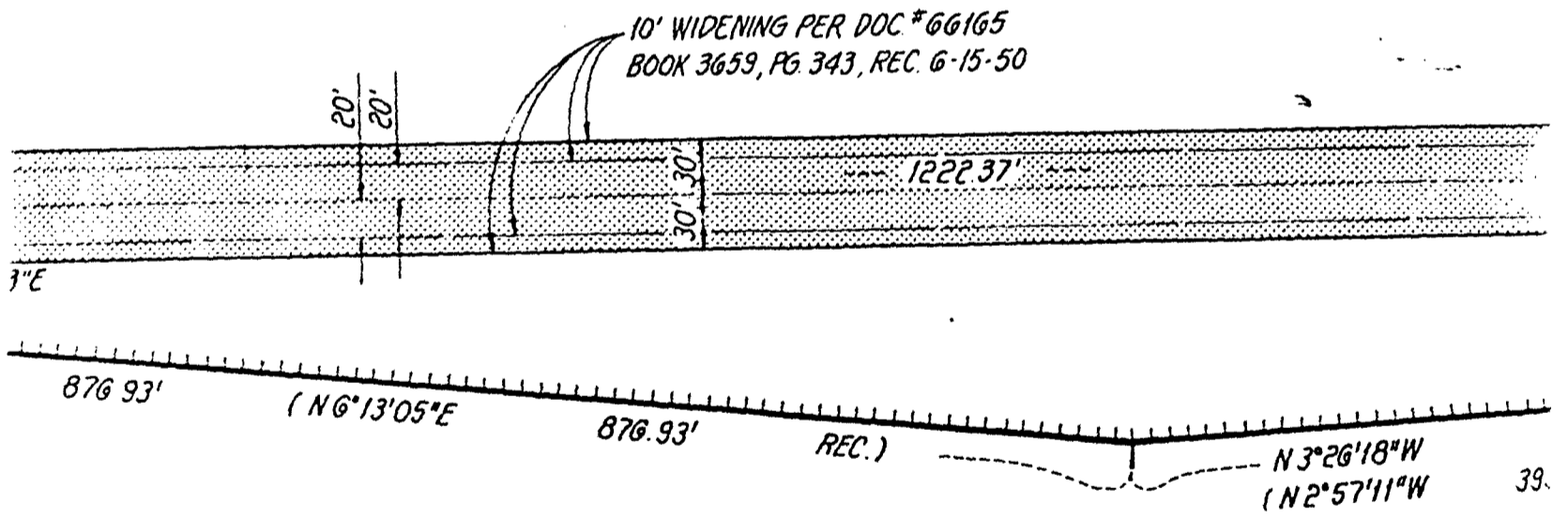
MICROFILMED

OCT 10 1978

01318-2

R NW 1/4, NE 1/4 SEC 25

EC 25 TISS RW



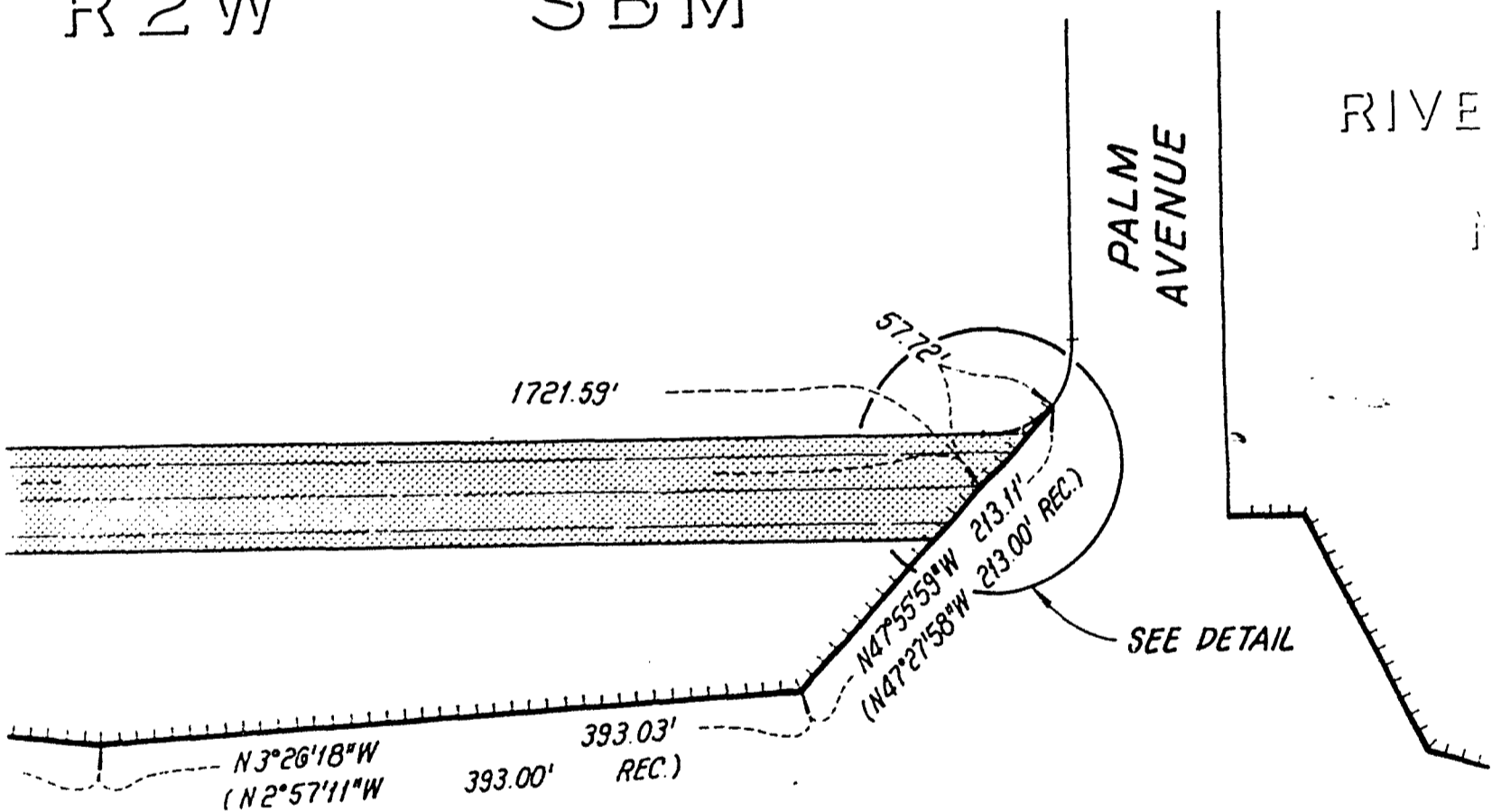
FREEWAY

805

01318-3

R 2 W

S B M



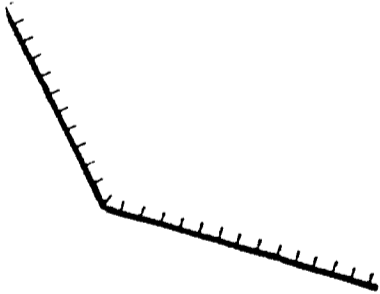
MICROFILMED

OCT 10 1978

01318-4

RIVERVIEW UNIT NO. 3

MAP NO. 7063



MICROFILMED

OCT 10 1978



1" = 100'

LEGEND:

INDICATES STREET

VACATED SHOWN THUS:



(REC) REFERS TO DEEDS TO STATE OF CALIF REC. JULY 5, 1972,
F/P NO 172857, O.R. & REC. JULY 13, 1972, F/P NO 180181, O.R.

BASIS OF BEARINGS:

THE BASIS OF BEARINGS FOR THIS DRAWING IS THE
EASTERLY LINE OF MAPLEWOOD HILLS UNIT NO. 2
MAP NO 6998 i.e. N0°04'10"W

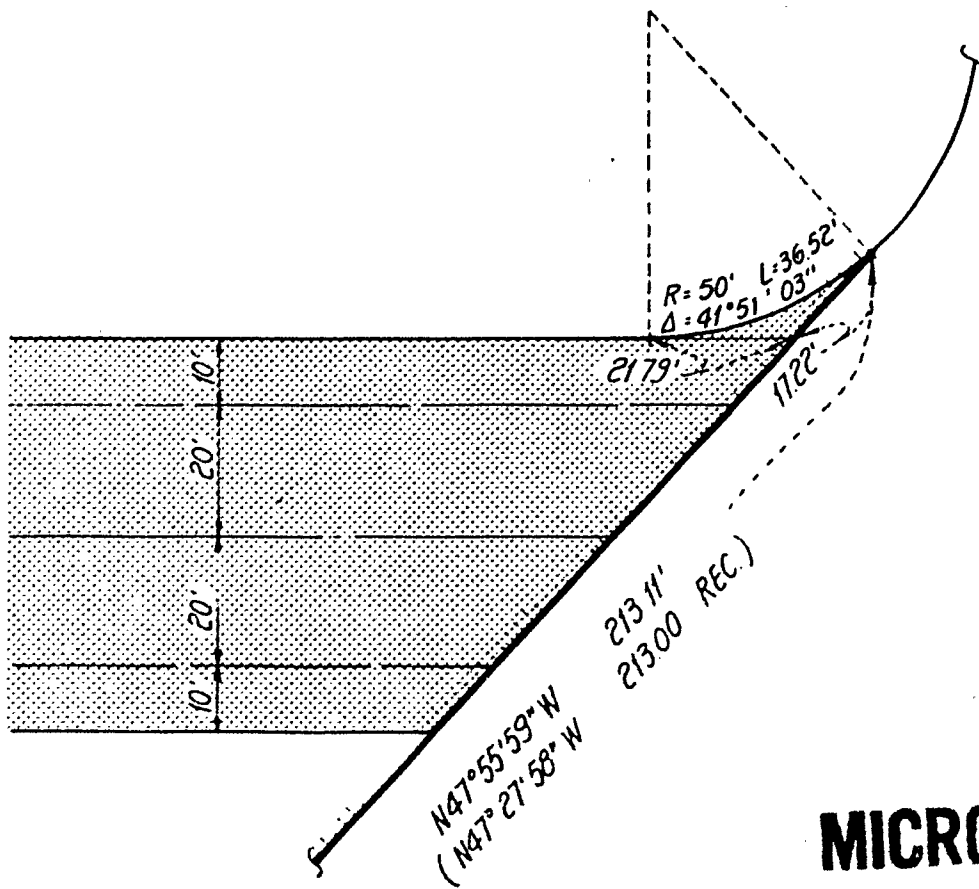
REFERENCE:

DWG. 13475-3-L

MICROFILMED

OCT 10 1978

C1318-6



DETAIL
SCALE: 1"=30'

MICROFILMED

OCT 10 1978

01318-7

DOCUMENT NO. 762278

FILED JAN 5 1978

OFFICE OF THE CITY CLERK
SAN DIEGO, CALIFORNIA

PRIVATE CONTRACT

| RICK ENGINEERING COMPANY | | | | | DATE <u>8-15-77</u> |
|---|----|-------------------------|------|-----------------------------|--|
| PLANNERS · ARCHITECTS · CIVIL ENGINEERS · LAND SURVEYORS 5620 FRIARS ROAD SAN DIEGO CALIFORNIA 92110 TELEPHONE (714)291 0707 | | | | | PROJECT NO. <u>6111</u> |
| VACATION OF 44th STREET (ROAD SURVEY NO. 931) BETWEEN PALM AVENUE & INTERSTATE 805 FOR PALM RIDGE UNIT NO. 1 | | | | | |
| CITY OF SAN DIEGO, CALIFORNIA | | | | W.O. <u>T.M. 76-271-1</u> | |
| SHEET <u>1</u> OF <u>1</u> SHEET | | | | NO. <u>70688</u> | |
| <u>C. J. Jolley</u> FOR CITY ENGINEER | | <u>10-11-77</u> DATE | | <u>Jim Mueller 10-11-77</u> | |
| DESCRIPTION | BY | APPROVED | DATE | FILMED | |
| ORIGINAL | | | | | |
| | | | | | |
| | | | | | |
| | | | | | |
| | | | | | |
| CONTRACTOR _____ DATE STARTED _____ | | | | | 17460 -D |
| INSPECTOR _____ DATE COMPLETED _____ | | | | | |
| | | | | | 150-1757 LAMBERT COORDINATES |
| | | | | | <u>10-10-77</u> <u>Bill Robinson</u> CONTROL CERTIFICATION |

OCT 10 1978

MICROFILMED

01318-8

Passed and adopted by the Council of The City of San Diego on DEC 21 1977
 by the following vote:

| Councilmen | Yeas | Nays | Excused | Absent |
|---------------------|-------------------------------------|--------------------------|--------------------------|-------------------------------------|
| Bill Mitchell | <input checked="" type="checkbox"/> | <input type="checkbox"/> | <input type="checkbox"/> | <input type="checkbox"/> |
| Maureen F. O'Connor | <input checked="" type="checkbox"/> | <input type="checkbox"/> | <input type="checkbox"/> | <input type="checkbox"/> |
| Bill Lowery | <input type="checkbox"/> | <input type="checkbox"/> | <input type="checkbox"/> | <input checked="" type="checkbox"/> |
| Leon L. Williams | <input checked="" type="checkbox"/> | <input type="checkbox"/> | <input type="checkbox"/> | <input type="checkbox"/> |
| Fred Schnaubelt | <input checked="" type="checkbox"/> | <input type="checkbox"/> | <input type="checkbox"/> | <input type="checkbox"/> |
| Tom Gade | <input checked="" type="checkbox"/> | <input type="checkbox"/> | <input type="checkbox"/> | <input type="checkbox"/> |
| Larry Stirling | <input checked="" type="checkbox"/> | <input type="checkbox"/> | <input type="checkbox"/> | <input type="checkbox"/> |
| Jess D. Haro | <input checked="" type="checkbox"/> | <input type="checkbox"/> | <input type="checkbox"/> | <input type="checkbox"/> |
| Mayor Pete Wilson | <input type="checkbox"/> | <input type="checkbox"/> | <input type="checkbox"/> | <input checked="" type="checkbox"/> |

AUTHENTICATED BY:

PETE WILSON
 Mayor of The City of San Diego, California.

CHARLES G. ABDELNOUR
 City Clerk of The City of San Diego, California.

By *Allyn D. Newell*, Deputy.

(Seal)

MICROFILMED
 OCT 10 1978

| | |
|---|----------------------------|
| Office of the City Clerk, San Diego, California | |
| Resolution Number 219973 | Adopted DEC 21 1977 |