

(R-85-1828)
REV. 1 - 4/8/85
REV. 2 - 4/12/85

RESOLUTION NUMBER R- 262932

ADOPTED ON APR 15 1985


A RESOLUTION OF THE COUNCIL OF THE CITY OF SAN DIEGO ADOPTING A STREET BANNER PROGRAM AND AUTHORIZING THE USE OF STREET LIGHT STANDARDS FOR HANGING ORNAMENTAL BANNERS.

WHEREAS, the Council of The City of San Diego desires to participate with the grand opening of the Horton Plaza Retail Center; NOW, THEREFORE,

BE IT RESOLVED, by the Council of The City of San Diego, that the City Engineer, Planning Director, Zoning Administrator and Building Inspection Director are hereby authorized to grant the necessary permits for a street banner program providing directional assistance to, and commemorating the opening of Horton Plaza. Street banners would be displayed on streets generally illustrated in Exhibit A, which is attached hereto and incorporated herein by reference.

BE IT FURTHER RESOLVED, that the use of light standards along the designated rights-of-way to hang the ornamental banners as illustrated in Exhibit B, which is attached hereto and incorporated herein by reference, are hereby authorized.

APPROVED: John W. Witt, City Attorney

By 
Janis Sammartino Gardner
Deputy City Attorney

JSG:ta:613
4/4/85
REV. 1 - 4/8/85
REV. 2 - 4/12/85
Or.Dept:CCDC
R-85-1828
Form=none

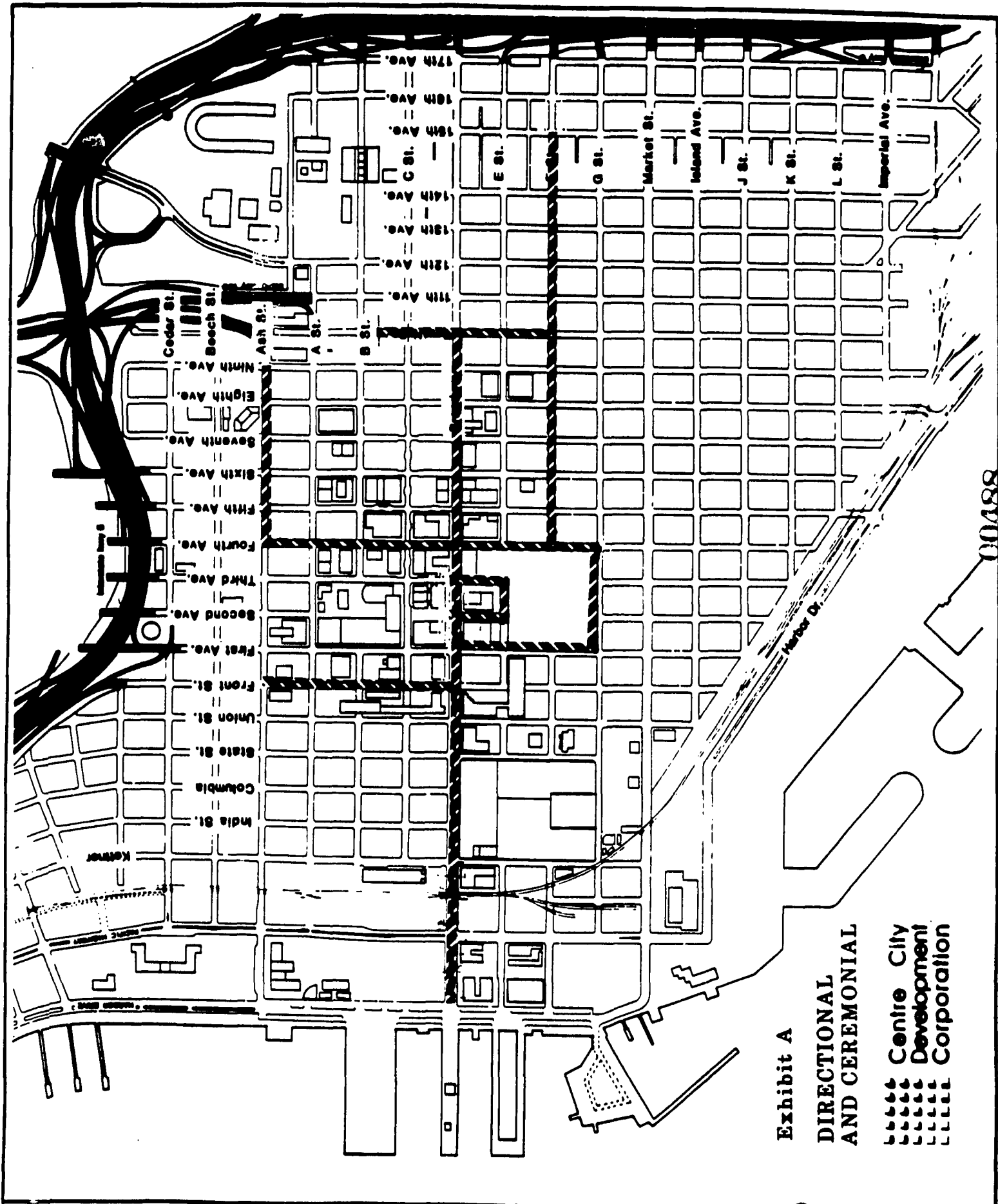


Exhibit A

**DIRECTIONAL
AND CEREMONIAL**

■■■■ Centre City
 ■■■■ Development
 ■■■■ Corporation

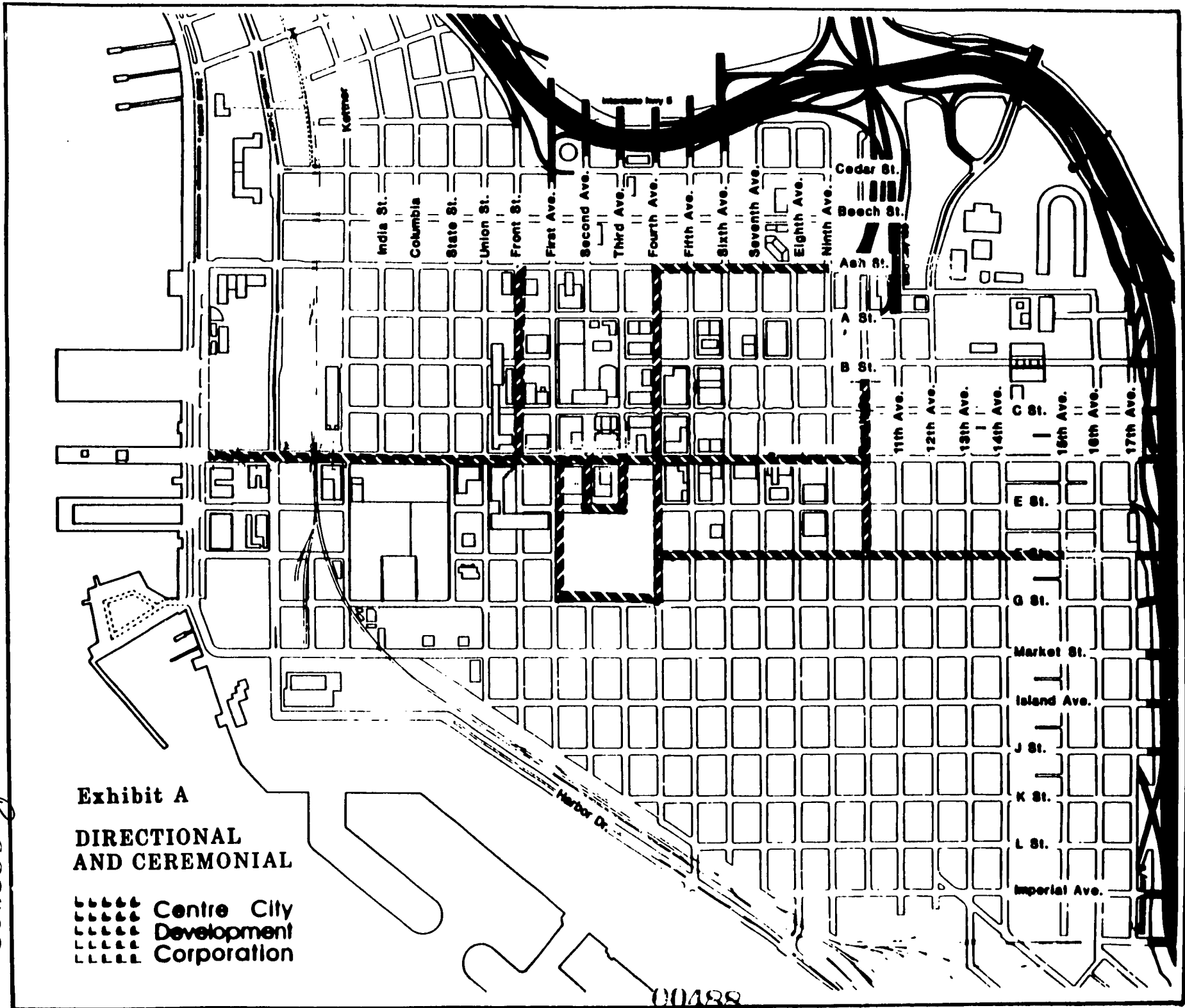
00488

R-202833

Exhibit A

**DIRECTIONAL
AND CEREMONIAL**

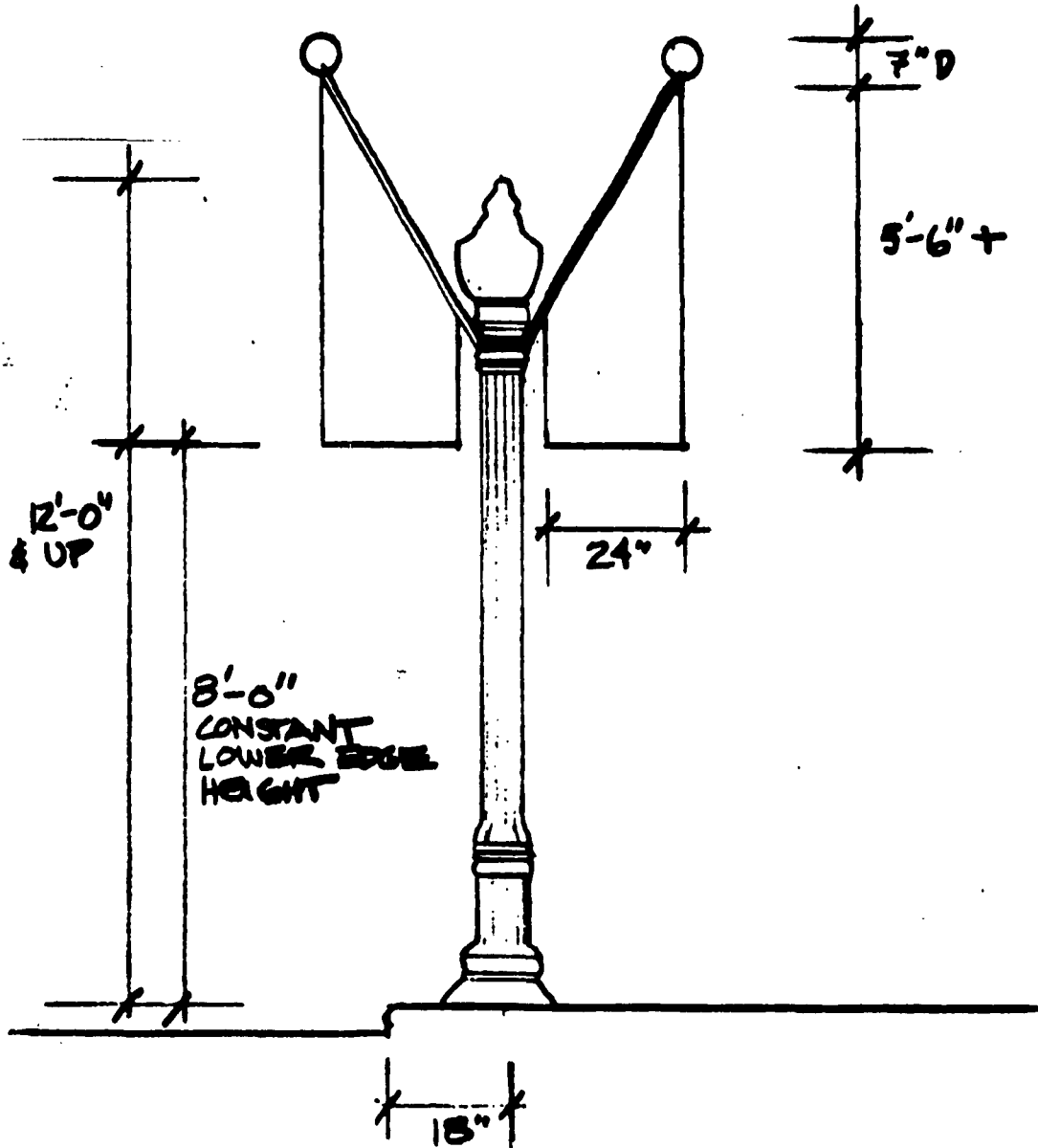
••••• Centre City
••••• Development
••••• Corporation



00488

Exhibit B

INTERCHANGEABLE
COLOR BANNERS
SUSPENSION ARMS
& GLOBE TIPS



2401

APR 15 1985

Passed and adopted by the Council of The City of San Diego on ,
by the following vote:

Councilmen	Yeas	Nays	Not Present	Ineligible
Bill Mitchell	<input checked="" type="checkbox"/>	<input type="checkbox"/>	<input type="checkbox"/>	<input type="checkbox"/>
Bill Cleator	<input checked="" type="checkbox"/>	<input type="checkbox"/>	<input type="checkbox"/>	<input type="checkbox"/>
Gloria McColl	<input checked="" type="checkbox"/>	<input type="checkbox"/>	<input type="checkbox"/>	<input type="checkbox"/>
William Jones	<input checked="" type="checkbox"/>	<input type="checkbox"/>	<input type="checkbox"/>	<input type="checkbox"/>
Ed Struiksmma	<input checked="" type="checkbox"/>	<input type="checkbox"/>	<input type="checkbox"/>	<input type="checkbox"/>
Mike Gotch	<input checked="" type="checkbox"/>	<input type="checkbox"/>	<input type="checkbox"/>	<input type="checkbox"/>
Dick Murphy	<input checked="" type="checkbox"/>	<input type="checkbox"/>	<input type="checkbox"/>	<input type="checkbox"/>
Uvaldo Martinez	<input checked="" type="checkbox"/>	<input type="checkbox"/>	<input type="checkbox"/>	<input type="checkbox"/>
Mayor Roger Hedgecock	<input checked="" type="checkbox"/>	<input type="checkbox"/>	<input type="checkbox"/>	<input type="checkbox"/>

AUTHENTICATED BY:

ROGER HEDGECOCK

Mayor of The City of San Diego, California.

CHARLES G. ABDELNOUR

City Clerk of The City of San Diego, California.

(Seal)

By Barbara Baxter, Deputy.

Office of the City Clerk, San Diego, California

Resolution Number R-262932 Adopted APR 15 1985

RECEIVED
CITY CLERK'S OFFICE

1905 APR 16 PM 1:42

SAN DIEGO, CALIF.

CH

00491